



# Trinity Lx800 High Efficiency Gas Condensing Boiler & Water Heater

## Submittal Sheet

Section 1 - Specifications  
Section 2 - Dimensions  
Section 3 - Electrical

Project Name: \_\_\_\_\_ Date: \_\_\_\_\_  
 Location: \_\_\_\_\_  
 Engineer: \_\_\_\_\_  
 Contractor: \_\_\_\_\_ Rep: \_\_\_\_\_

### 1 SPECIFICATIONS

#### General Specifications

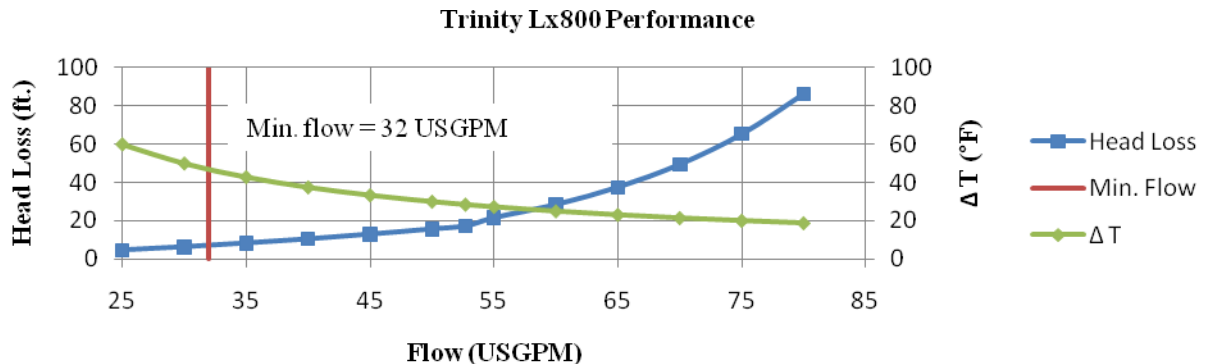
- ▶ Product Features
  - Certified to ANSI Z21.13 / CSA 4.9 Gas-fired Boiler Standard
  - Certified to ANSI Z21.10.3 / CSA 4.3 Gas Water Heater Standard
  - ASME "H" stamped boiler, designed and constructed in compliance with the ASME Boiler and Pressure Vessel Code Section IV.
  - CSD-1 compliant
  - Maximum operating pressure 160 psi [1103 kPa]
  - Modulating burner, 5:1 turndown
  - Direct Spark Ignition
  - Zero clearance to combustibles
- ▶ Optional Side Wall Vent Terminal Kits NTI part # 83236, 84355, 84358
- ▶ Factory Supplied Items
  - 10k thermistor Outdoor and System sensors
- ▶ Factory Supplied Items (cont'd)
  - 2 - 500ml bottles Fernox F1 Protector
  - Flow switch
  - 50PSI & 150PSI ASME Relief Valves
  - 60PSI & 160PSI Pressure Gauge
- ▶ Control Features
  - Integral microprocessor safety control
  - 2 central heat inputs (high & low temperature)
  - Domestic Hot Water Priority
  - Outdoor reset
  - Warm weather shutdown
  - Time of day input
  - Lead-Lag up to 8 Lx series boilers

Water Connections NPT, in.	Gas Connection NPT, in.	Vent/Air-Intake Pipe Diameter in. [mm]	Vent/Air-Intake Max. Length ft. [m]	Approx. Weight with Water lb. [kg]
2	1	Air Inlet 4 [102]	100 [30.5]	475 [215]
		Vent 6 [152]	100 [30.5]	

#### Heating Specifications

Input		Heating Capacity BTU/hr [kW]	Recovery Rate @ 100°F Rise USGPH	Steady State Efficiency %
Min BTU/hr [kW]	Max BTU/hr [kW]			
160,000 [46.9]	800,000 [234.4]	749,000 [219.5]	902	94.0

#### Performance Specifications



NY Thermal Inc.

65 Drury Cove Road Saint John, NB E2H 2Z8 Canada

Technical Service: 1-800-688-2575 Fax: 1-506-432-1135 Web: <http://www.nythermal.com>

NY Thermal Inc. reserves the right to change these specifications without notice

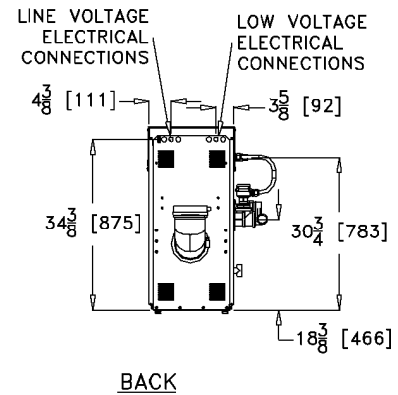
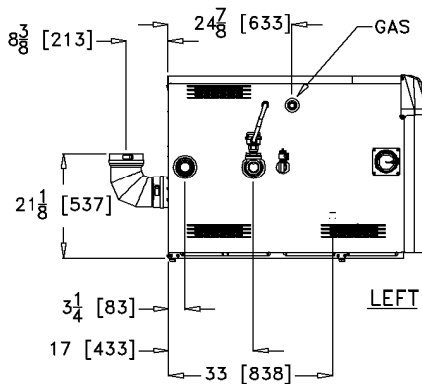
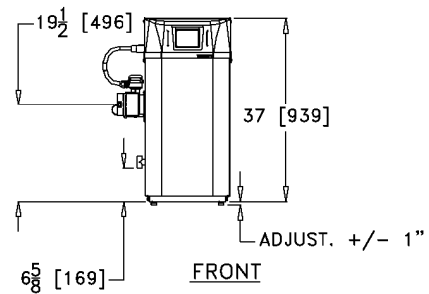
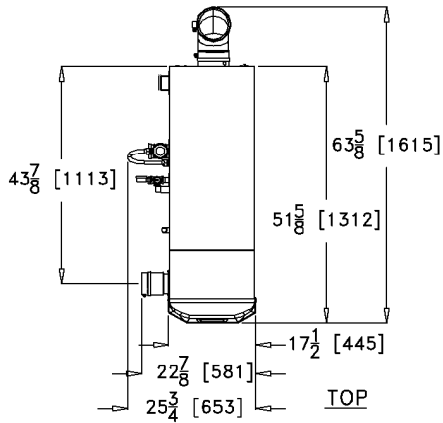


**Trinity Lx800  
High Efficiency Gas  
Condensing Boiler & Water Heater**

**Submittal Sheet**

**2 DIMENSIONS**

**Product Dimensions – in. [mm]**



**Recommended Clearances – in. [mm]**

Top	Front	Left	Right	Back	Bottom
24 [610]	24 [610]	24 [610]	12 [305]	24	0



NY Thermal Inc.

65 Drury Cove Road Saint John, NB E2H 2Z8 Canada

Technical Service: 1-800-688-2575 Fax: 1-506-432-1135 Web: <http://www.nythermal.com>

NY Thermal Inc. reserves the right to change these specifications without notice



# Trinity Lx800 High Efficiency Gas Condensing Boiler & Water Heater

Submittal Sheet

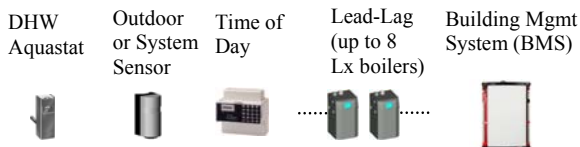
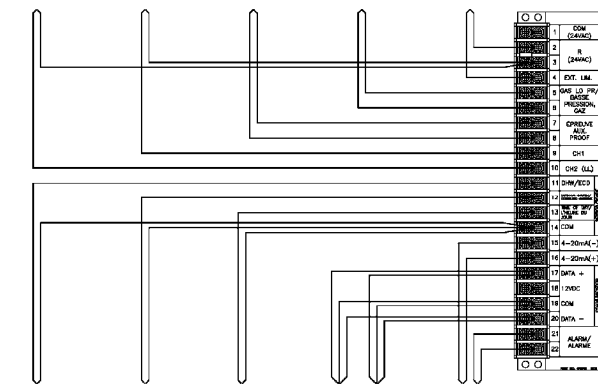
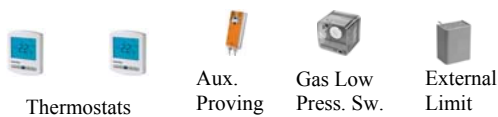
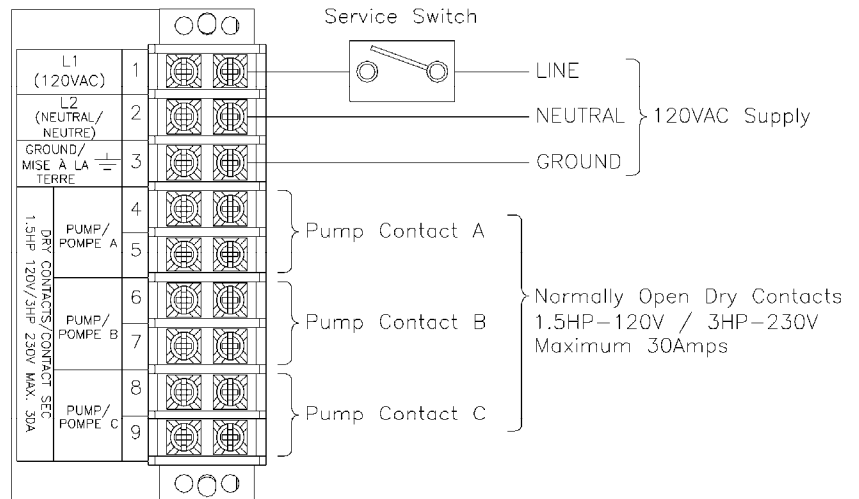
## 3 ELECTRICAL

### Simplified Wiring Diagrams

#### Line Voltage Electrical:

- ▶ 120VAC / 60 Hz / 1 Phase / 12 Amp
- ▶ Barrier Strip for field wiring terminations
- ▶ 3 Pump outputs
  - Indirect Domestic Hot Water (Pump A)
  - Boiler (Pump B)
  - Central Heat (Pump C)

Note: Pumps are field supplied.



#### Low Voltage Electrical:

- ▶ Barrier Strip for field wiring terminations
- ▶ 120/24 VAC Transformer 75VA (factory supplied)
- ▶ Inputs
  - 2 CH thermostat inputs (by others)
  - Indirect DHW aquastat (by others)
  - External Limit (by others)
  - Gas low pressure switch (by others)
  - Outdoor sensor (factory supplied)
  - System sensor (factory supplied)
  - 4-20mA external modulating control (by others)
  - Time of day (TOD) (by others)
- ▶ Outputs
  - Remote Touchscreen display (optional)
  - Alarm dry contact (24VAC 0.63A max.)
- ▶ EIA-485 Modbus communications for Lead-Lag



NY Thermal Inc.

65 Drury Cove Road Saint John, NB E2H 2Z8 Canada

Technical Service: 1-800-688-2575 Fax: 1-506-432-1135 Web: <http://www.nythermal.com>

NY Thermal Inc. reserves the right to change these specifications without notice