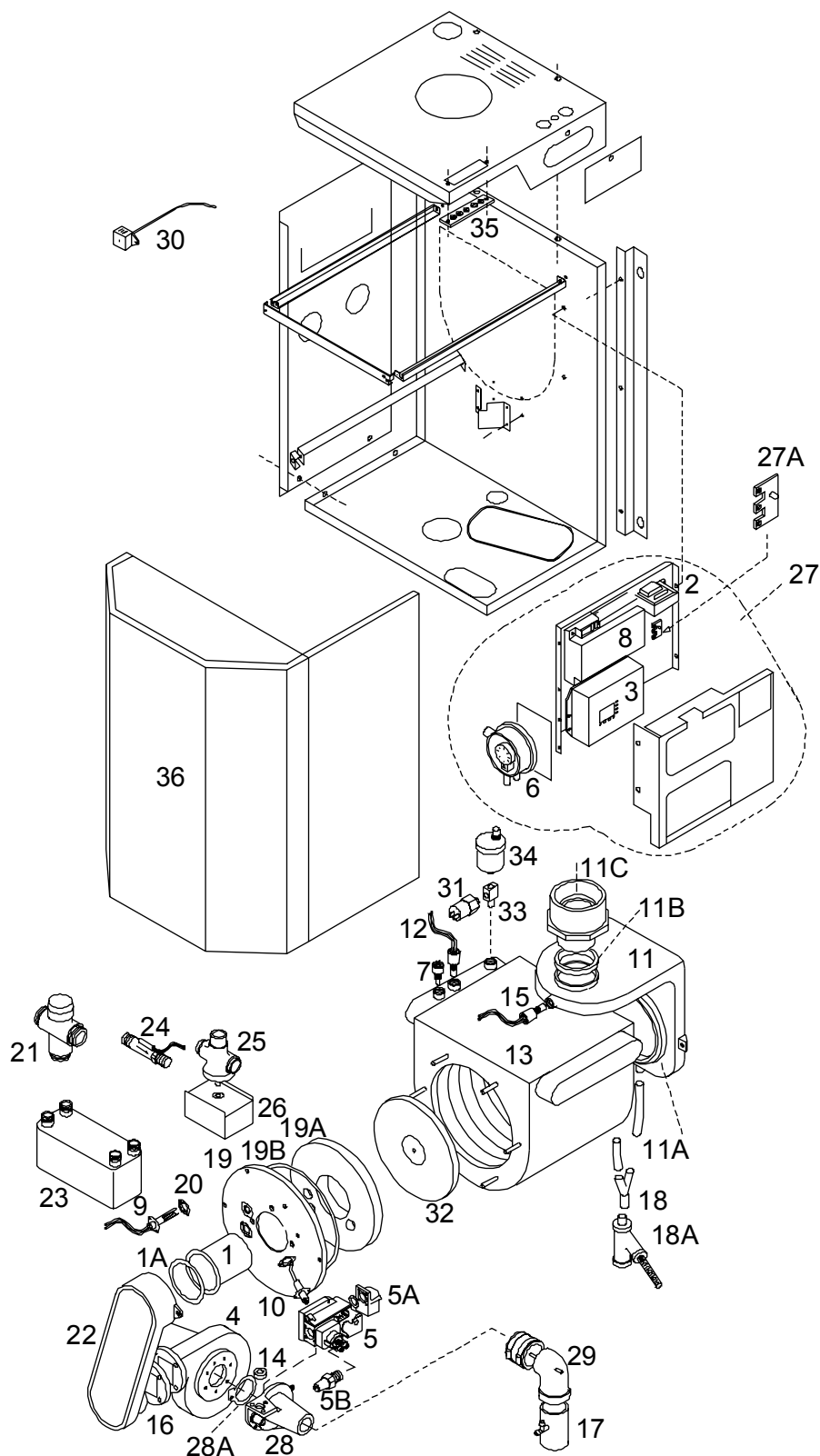


15.0 PARTS LIST

Models Ti100-Ti200

Replacement parts are available from your stocking wholesaler. Homeowners must contact their local Installer or Wholesaler. Installers or Wholesalers may contact NY Thermal Inc. for assistance at 506-432-1130. Notes: *Used for Combi version only.

No.	P.N.	Description
1	82657	Premix burner, 135.8 Ti-150
1	82658	Premix burner, 200.6 Ti-200
1A	82761	Premix Burner Gasket
2	82457	Transformer, 24V
3	82013	Sentry 2100
4	82052	Blower #RG130 Ti-150 Only
4	82661	Blower #RG148 Ti-200 Only
5	82054	Gas Valve (CVI) VK8115F1134B
5A	82065	Gas Valve 1/2" npt elbow
5B	82600	Gas Valve Vent connection
6	82662	Air switch Huba @ .2"wc.
7	82671	Thermister (Ti100-200)
7	83035	Thermister (Ti100-150 ASME)
8	82058	Ignition Module (Ferwal)
9	82708	IGNITER, #601, c/w SS shield
10	82762	Rauschert Flame Rod
11	82763	Composit Flue Box
11A	82764	Composit Flue Box Gasket
11B	82765	Composit Flue Outlet Gasket
11C	83291-1	Flue Adapter Assembly (Ti100-200)
12	82659	Manifold Limit, 1/8BSP(Ti100-200)
12	82992	Manifold Limit, 1/4NPT(Ti100-150 ASME)
13	82596	Ti100-150 Heat Exchanger
13	83012	Ti100-150 ASME Heat Exchanger
13	82647	Ti 200 Heat Exchanger
14	82650	LP orifice 5.20mm Ti150-200 Only
14	83216	LP orifice 3.40mm Ti100 Only
15	82660	Stack Limit, 1/4BSP,190F, Dif=30
16	82766	Blower gasket Ti100-150 Only
16	82719	Blower gasket Ti200 Only
17	82622-1	Ti Inlet Pipe assembly
18	83042	Condensate Y Drain
18A	82913	Siphon Condensate Trap
19	82767	Cast aluminum Burner door
19A	82769	Ti Ceramic burner door disc
19B	82770	Ti Burner door gasket
20	82768	Ti Igniter gasket
21	82228*	Tempering valve #AM101-US-1
22	82771	Extended air tube
23	82011*	Plate heat exchanger LA1430
24	81896*	Flow switch FS-380, .5activate
25	82160*	3 way Valve VU54S2016B, 3/4"
26	82159*	3 way actuator VU444A 1007B
27	82754	Control panel & Harness
27A	82754-1	PCB Optocoupler
28	82054-1	CVI Venturi 01 (Ti150 & 200)
28	83205	CVI Venturi 003 (Ti100 Only)
28A	82054-2	CVI Venturi Gasket
29	82104-1	Ti Air metering Elbow
30	81027-1	Sentry (10k) Outdoor Air Sensor
31	83223	Pressure Switch 1/8BSP
31	83223-1	Pressure Switch 1/4NPT (Ti100-150ASME)
32	83112	Divider plate insul (c/w washer & screw)
33	83462	Tee, Brass, 1/4"
33	83458	Tee, Brass, 1/8"
34	82539	Auto Air Vent, 1/8"
35	83059	Terminal Strip
36	82411-3	Ti100-200 Cover



No.	P.N.	Description
1	83173	Premix Burner NIT 327 (For Ti400)
1A	82761	Premix Burner Gasket
2	82457	Transformer, 24V
3	83171	Sentry 2100 Assembly
4	82994	EBM BLOWER #RG148/E
5	82989	Gas Valve VR8615VB 1044B
5A	82991	Gas Valve Adapter, 3/4" NPT
5B	83194	Gas Valve Connector O-ring
	83016	Gas Valve Harness
6	82662	Air switch Huba @ 0.2"wc.
6C	82539	Air Vent
7	83035	Thermister NTC 1/4" NPT, 1Mohm
8	82058	Ignition Module (Fenwal)
9	82708	IGNITER, #601, c/w SS Heat shield
10	82762	Flame Rod Rauschert (Ti-Series)
11	82906	Air Switch 604.E421180 set @ 3" wc
12	82992	Limit Switch, 1/4"NPT, (Manifold)
13	82926	Ti-400 Heat Exchanger, ASME
14	82993	Gas Valve Orifice, 8.0mm, NG
14A	83017	Gas Valve Orifice, 6.2mm, LP
15	81887	Flow Switch, FS-10C (Ti 400)
16	82766	Blower Gasket (Ti100, 150 & 400)
17	83037	TEE NYLON 3/4"HB to 3/4"
17A	83038	ADAPTER NYLON, 3/4" x 1/4"
18	82913	SIPHON CONDENSATE TRAP
19A	82769	Burner Door Ceramic Disc
19B	82770	Burner Door Viton Gasket
20	82768	Igniter Gasket (Ti-Series)
21	83034	Exhaust Test Plug (Ti 400)
22	83195	Extended Air Tube (Ti400)
23	83141	Ti 400 Control Panel, Complete
24	82990	CVI Venturi (Ti 400)
25	83106	O-ring, Venturi to Blower (Ti400)
26	83001	Test Port Retaining Clamp (Ti 400)
27	82754-1	PCB Optocoupler
28 29	83170-1	Air Metering Assembly (Ti 400)
30	81027-1	Sentry 2100 (10K) Outdoor Probe
31	83018	Vent Screen, 4" (Ti 400)
32	83019	Vent Screen, 6" (Ti 400)
33	83013	Nipple, 1-1/4" x 8", Brass
34	83005	1-1/4"x 1-1/4"x 3/4" Tee Brass
35	13701	RELIEF VALVE 3/4" #335 30 PSI
36	82148	PRESSURE GAUGE 0-30 PSI
37	83112	Divider Insul. (c/w washer & screw)
38	83059	Terminal Strip
39	82411-1	Ti400 Front Cover

