

# NEW YORKER High Efficiency Hot Water Oil-Fired Boiler



## OIL-FIRED BOILER

- **Optional SENTRY 2100 controller, which provides precise and efficient boiler operations resulting in increased comfort and reduced fuel consumption**
- **Efficient dry base boiler**
- **Fitting location is standardized to aid in plumbing**
- **Combustion chamber is supported by a spacer to keep base cool and to make chamber removal and replacement easy, while preventing damage**
- **Unique design reduces jacket and stand-by losses**
- **Raised flange TANKLESS COIL**
- **High capacity Heat Exchanger Coil provides ample, inexpensive domestic hot water**
- **Computer aided design by experts**
- **Easy servicing from the front & top**
- **Compatible burners – Beckett & Riello**
- **Certified and rated to strict CSA codes**
- **Available with CRN certification (optional)**

For over 35 years, the New Yorker Boiler series has been the standard of quality, reliability and efficiency. NTI has continued to improve the design and functionality of the New Yorker Boiler series to again make it the optimum of oil-fired hot water heating equipment.

When you choose NTI, you are choosing the standard by which quality boilers are made!

You can trust our commitment to excellence in quality, reliability and customer service. And you can count on years of trouble-free, safe and comfortable heat. Only from NTI.



MODEL	INPUT	GROSS OUTPUT (BTU)	NET OUTPUT (BTU)	STEADY STATE EFFICIENCY	WEIGHT (lbs)
NY 112.IP2AI	0.85	105,000	94,000	89%	319
NY 124.IP2AI	1.10	133,000	119,700	87%	319
NY 151.IP2AI	1.35	162,000	145,000	86%	319
NY 168.IP2AI	1.50	179,000	161,000	86%	417
NY 194.IP2AI	1.75	208,000	187,200	85%	417
NY 224.IP2AI	2.00	234,000	210,600	84%	480
NY 282.IP3AI	2.50	302,000	271,800	87%	620
NY 339.IP3AI	3.00	359,000	323,100	86%	620

## BOILER SPECIFICATIONS

Boiler Shell	NY112- NY151	NY168- NY224	NY283- NY339
Shipping Weight (lbs.)	319	417	620
Supply & Return Size	1.25"	1.5"	2"-1.5"
Height (")	33	40	48
Depth (")	21	21	27
Width (")	22	22	21
Stack Size (")	7	7	8
Water Vol. (Imp. Gal)	9	23	32
Max. Coil Size	S-5	S-5	S-6
Tube Quantity	24	24	36

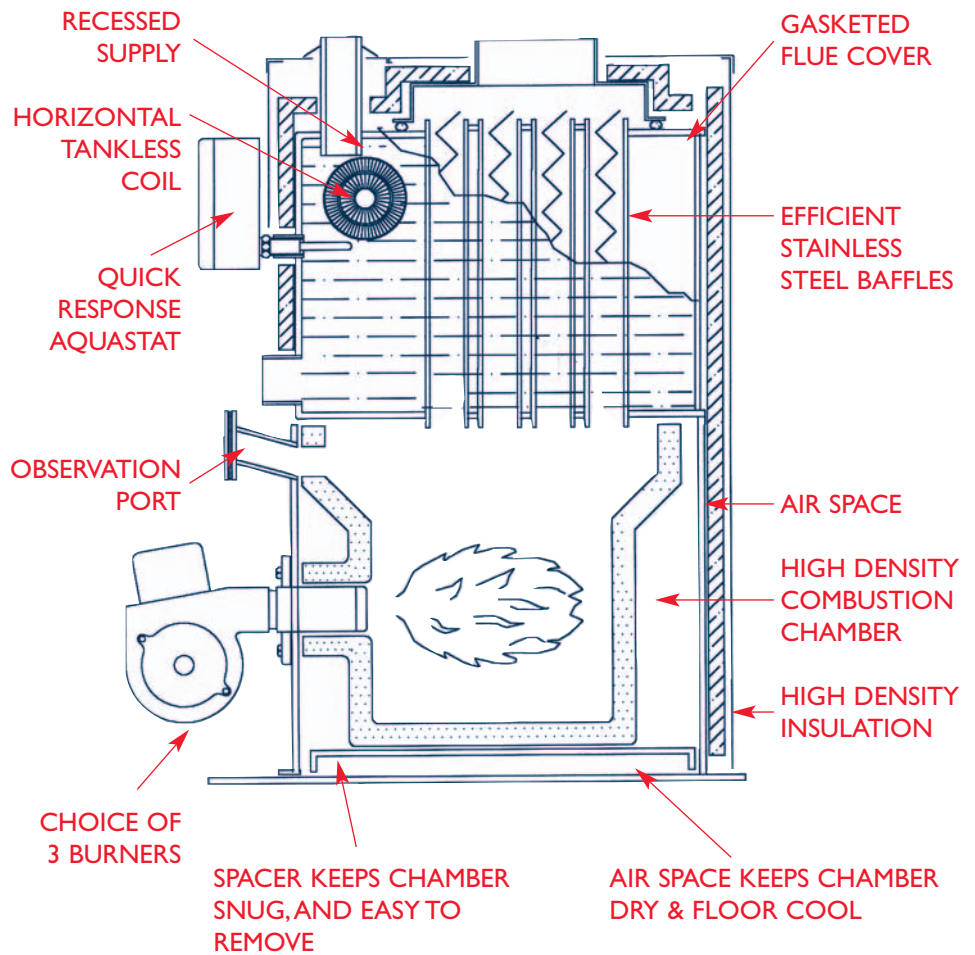
Because we never stop improving the durability and performance of our quality line of products, we reserve the right to change specifications without prior notice.

For more information, please contact:



**NYTHERMAL INC.**  
 30 Stonegate Drive  
 Saint John, New Brunswick  
 E2H 0A4 Canada  
 Tel: 506-657-6000  
 Toll-free: 800-688-2575  
 Fax: 506-432-1135

[www.nythermal.com](http://www.nythermal.com)



DISTRIBUTED BY: